

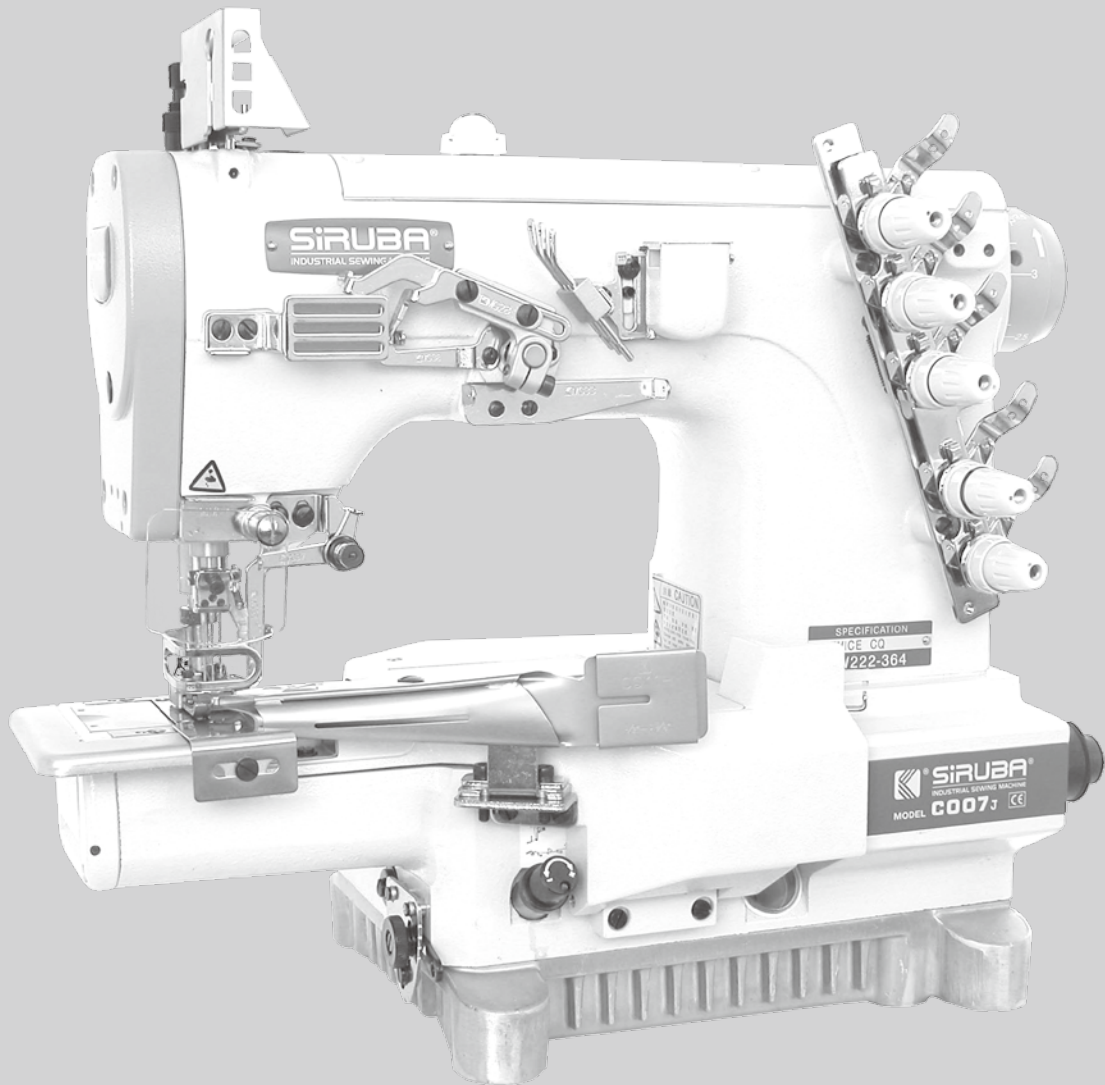
SIRUBA®

銀箭牌工業用縫紉機

INDUSTRIAL SEWING MACHINE

C007J/C007JD

零件圖 PARTS LIST



CE



高林股份有限公司
KAULIN MFG. CO., LTD.

MODEL 機型	SUB-CLASS 規格	NEEDLE CLAMP 針座	NEEDLE PLATE 針板	MAIN FEED DOG 主送具	DIFF. FEED DOG 差送具	PRESSER FOOT 押具	SPREADER 上叉	LOOPER 勾針	NEEDLE 針號
C007J-W121 /CH	356 364	M5356 M5364	E3816P E3817P	D4206 D4207	H4458 H4459	P2446-A P2447-A	MH41	MT01	UY128GAS #10
C007J-U121 /CH	356 364	M5356 M5364	E3816P E3817P	D4206 D4207	H4458 H4459	P2446-A P2447-A	—	MT01	UY128GAS #10
C007J-W121 CH/UTP(UTR)	356 364	M5356 M5364	E3816P E3817P	D4206 D4207	H4458 H4459	P2446-A P2447-A	MH41	MT01	UY128GAS #10
C007J-U121 CH/UTQ(UTS)	356 364	M5356 M5364	E3816P E3817P	D4206 D4207	H4458 H4459	P2446-A P2447-A	—	MT01	UY128GAS #10
C007J-W122 /CH	240 248 256 356 364	M5240 M5248 M5356 M5356 M5364	E3524P E3525P E3826S E3826P E3827P	D4206 D4206 D4206 D4206 D4207	H4458 H4458 H4458 H4458 H4459	P2544-A P2545-A P2446-A P2446-A P2447-A	MH41	MT01	UY128GAS #10
C007J-U122 /CH	240 248 256 356 364	M5240 M5248 M5356 M5356 M5364	E3524P E3525P E3826S E3826P E3827P	D4206 D4206 D4206 D4206 D4207	H4458 H4458 H4458 H4458 H4459	P2544-A P2545-A P2446-A P2446-A P2447-A	—	MT01	UY128GAS #10
C007J-W122 CH/UTP(UTR)	240 248 256 356 364	M5240 M5248 M5356 M5356 M5364	E3524P E3525P E3826S E3826P E3827P	D4206 D4206 D4206 D4206 D4207	H4458 H4458 H4458 H4458 H4459	P2544-A P2545-A P2446-A P2446-A P2447-A	MH41	MT01	UY128GAS #10

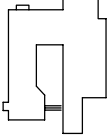

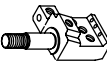
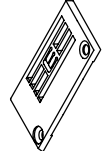
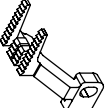
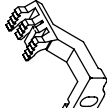
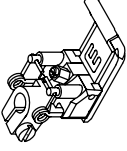

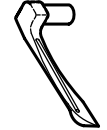

註：P2544-A/P2545-A為固定式押具舌，亦可使用活動式押具舌 P2565-A代替P2544-A/P2545-A
P2446-A/P2447-A為固定式押具舌，亦可使用活動式押具舌 P2466-A代替P2446-A/P2447-A

規格件表 CONVERSION CHART

規格件表 CONVERSION CHART

MODEL 機型	SUB-CLASS 規格	NEEDLE CLAMP 針座	NEEDLE PLATE 針板	MAIN FEED DOG 主送具	DIFF. FEED DOG 差送具	PRESSER FOOT 押具	SPREADER 上叉	LOOPER 勾針	NEEDLE 針號
C007J-U122 CH/UTQ(UTS)	240	M5240	E3524P	D4206	H4458	P2544-A	—	MT01	UY128GAS #10
	248	M5248	E3525P	D4206	H4458	P2545-A	—	MT01	
	256	M5356	E3826S	D4206	H4458	P2446-A	—	MT01	
	356	M5356	E3826P	D4206	H4458	P2446-A	—	MT01	
	364	M5364	E3827P	D4207	H4459	P2447-A	—	MT01	
C007J-W122 /CHA	356	M5356	E3826Q	D4206	H4458	P0216-A	MH41	MT01	UY128GAS #10
	356	M5356	E3826Q	D4206	H4458	P0416-A	—	MT01	UY128GAS #10
C007J-W123 /CH	240	M5240	E3534P	D4206	H4458	P2544-A	—	MT01	UY128GAS #10
	248	M5248	E3535P	D4206	H4458	P2545-A	—	MT01	
	356	M5356	E3836P	D4206	H4458	P2446-A	MH41	MT01	
	364	M5364	E3837P	D4207	H4459	P2447-A	—	MT01	
C007J-U123 /CH	240	M5240	E3534P	D4206	H4458	P2544-A	—	MT01	UY128GAS #10
	248	M5248	E3535P	D4206	H4458	P2545-A	—	MT01	
	356	M5356	E3836P	D4206	H4458	P2446-A	—	MT01	
	364	M5364	E3837P	D4207	H4459	P2447-A	—	MT01	
C007J-W132 /CHE	240	M5240	E2324P	D2109	H2219	P2904-A	—	MT01	UY128GAS #10
	248	M5248	E2325P	D2109	H2219	P2905-A	—	MT01	
	356	M5356	E2326P	D2110	H2220	P2906-A	MH41	MT01	
	364	M5364	E2327P	D2110	H2220	P2907-A	—	MT01	
C007J-W132 CHE/UTP(UTR)	356	M5356	E2326P	D2110	H2220	P2906-A	—	MT01	UY128GAS #10
	364	M5364	E2327P	D2110	H2220	P2907-A	—	MT01	

註：P2544-A/P2545-A 為固定式押具舌，亦可使用活動式押具舌 P2565-A代替P2544-A/P2545-A
 P2446-A/P2447-A 為固定式押具舌，亦可使用活動式押具舌 P2466-A代替P2446-A/P2447-A

									
MODEL	SUB-CLASS	NEEDLE CLAMP	NEEDLE PLATE	MAIN FEED DOG	DIFF. FEED DOG	PRESSER FOOT	SPREADER	LOOPER	NEEDLE
機型	規格	針座	針板	主送具	差送具	押具	上叉	勾針	針號
C007J-W152 /CZ/UTP/RLQ	356 364	M5356 M5364	E4326P E4327P	D3216 D3217	H3262 H3263	P2416-A P2417-A	MH41	MT01	UY128GAS #10
C007J-U152 /CZ/UTQ/RLQ	356 364	M5356 M5364	E4326P E4327P	D3216 D3217	H3262 H3263	P2416-A P2417-A	—	MT01	UY128GAS #10
C007J-W152 /CZ/CLA/UTP/RLQ	356 364	M5356 M5364	E4326P E4327P	D3216 D3217	H3262 H3263	P2416-A P2417-A	MH41	MT01	UY128GAS #10
C007J-U152 /CZ/CLA/UTQ/RLQ	356 364	M5356 M5364	E4326P E4327P	D3216 D3217	H3262 H3263	P2416-A P2417-A	—	MT01	UY128GAS #10
C007J-W162	240 248 356 364	M5240 M5248 M5356 M5364	E3544 E3545 E3846 E3847	D4206 D4206 D4206 D4207	H4458 H4458 H4458 H4459	P2544-A P2545-A P2446-A P2447-A	MH41	MT01A	TV*5 #14~16
C007J-U162	240 248 356 364	M5240 M5248 M5356 M5356	E3544 E3545 E3846 E3847	D4206 D4206 D4206 D4207	H4458 H4458 H4458 H4459	P2544-A P2545-A P2446-A P2447-A	—	MT01A	TV*5 #14~16
C007J-W162 /UTP (UTR)	248 356 364	M5248 M5356 M5364	E3545 E3846 E3847	D4206 D4206 D4207	H4458 H4458 H4459	P2544-A P2545-A P2446-A P2447-A	MH41	MT01A	TV*5 #14~16
C007J-U162 /UTQ (UTS)	240 248 356 364	M5240 M5248 M5356 M5356	E3544 E3545 E3846 E3847	D4206 D4206 D4206 D4207	H4458 H4458 H4458 H4459	P2544-A P2545-A P2446-A P2447-A	—	MT01A	TV*5 #14~16

註：P2544-A/P2545-A為固定式押具舌，亦可使用活動式押具舌 P2565-A代替 P2544-A/P2545-A
P2446-A/P2447-A為固定式押具舌，亦可使用活動式押具舌 P2466-A代替 P2446-A/P2447-A

規格件表 CONVERSION CHART

MODEL	SUB-CLASS	NEEDLE CLAMP	NEEDLE PLATE	MAIN FEED DOG	DIFF. FEED DOG	PRESSER FOOT	SPREADER	LOOPER	NEEDLE
機型	規格	針座	針板	主送具	差送具	押具	上叉	勾針	針號
C007J-W222 /CQ	240	M5240	E4124P	D3216	H3362	P1814-A	MH41	MT01	UY128GAS #10
	248	M5248	E4125P	D3216	H3362	P1815-A	—		
	356	M5356	E4426P	D3216	H3362	P2116-A	—		
	364	M5364	E4427P	D3217	H3363	P2117-A	—		
C007J-W222 /CQA/CLA	256	M5356	E2326Q	D2110	H2220Q	P2906Q-A	MH41	MT01A	TV*5 #14
	C007J-W322 /CC	356	M5356	D2107L	H3259M	P2456-A	MH41	MT01	UY128GAS #10
364		M5364	E2827P	D2107L	H3259M	P2457-A	—	MT01	UY128GAS #10
C007J-U322 /CC	356	M5356	E2826P	D2107L	H3259M	P2456-A	—	MT01	UY128GAS #10
	364	M5364	E2827P	D2107L	H3259M	P2457-A	MH41	MT01	UY128GAS #10
C007J-U322 CC/UTP(UTR)	356	M5356	E2826P	D2107L	H3259M	P2456-A	—	MT01	UY128GAS #10
	364	M5364	E2827P	D2107L	H3259M	P2457-A	—	MT01	UY128GAS #10

註(1) : P2544-A/P2545-A為固定式押具舌,亦可使用活動式押具舌 P2565-A代替P2544-A/P2545-A

P2446-A/P2447-A為固定式押具舌,亦可使用活動式押具舌 P2466-A代替P2446-A/P2447-A

註(2) : C007J-W/U322A-³⁵⁶ /CC 時, 該針板與送金改用 C007J-W/U122-³⁵⁶ 364 之針板與送金, 加附CHJ-A

MODEL 機型	SUB-CLASS 規格	NEEDLE CLAMP 針座	NEEDLE PLATE 針板	MAIN FEED DOG 主送具	DIFF. FEED DOG 差送具	PRESSER FOOT 押具	SPREADER 上叉	LOOPER 勾針	NEEDLE 針號
C007J-W322 /CE	356 364	M5356 M5364	E2626P E2627P	D2107	H3159	P2456-A P2457-A	MH41	MT01	UY128GAS #10
C007J-U322 /CE	356 364	M5356 M5364	E2626P E2627P	D2107	H3159	P2456-A P2457-A	—	MT01	UY128GAS #10
C007J-W322 CE/UTP(UTR)	356 364	M5356 M5364	E2626P E2627P	D2107	H3159	P2456-A P2457-A	MH41	MT01	UY128GAS #10
C007J-U322 CE/UTQ(UTS)	356 364	M5356 M5364	E2626P E2627P	D2107	H3159	P2456-A P2457-A	—	MT01	UY128GAS #10

註：P2544-A/P2545-A為固定式押具舌,亦可使用活動式押具舌 P2565-A 代替 P2544-A/P2545-A
P2446-A/P2447-A為固定式押具舌,亦可使用活動式押具舌 P2466-A 代替 P2446-A/P2447-A

規格件表 CONVERSION CHART

MODEL 機 型	SUB-CLASS 規 格	NEEDLE CLAMP 針 座	NEEDLE PLATE 針 板	MAIN FEED DOG 主 送 具	DIFF. FEED DOG 差 送 具	PRESSER FOOT 押 具	SPREADER 上 叉	LOOPER 勾 針	NEEDLE 針 號
C007J- W512 /FE(FFC)	232 240 356 364	M5232 M5240 M5356 M5364	E3523R E3524R E3826R E3827R	D4205 D4206 D4206 D4207	H4457 H4458 H4458 H4459	P2913-A P2914-A P3216-A P3217-A	MH41	MT01	UY128GAS #10
C007J- U512 /FE(FFC)	240 356 364	M5240 M5356 M5364	E3524R E3826R E3827R	D4206 D4206 D4207	H4458 H4458 H4459	P3414-A P3716-A P3717-A	—	MT01	UY128GAS #10
C007J- W522 /FE(FFC)/CR/CL	356 364	M5356 M5364	E6426R E6427R	D3222	H3268	P3816R-A P3817R-A	MH41	MT01	UY128GAS #10
C007J- U522 /FE(FFC)/CR/CL	356 364	M5356 M5364	E6426R E6427R	D3222	H3268	P3816R-A P3817R-A	—	MT01	UY128GAS #10
C007J- W532/ CR/UTP/CL/RLP/CX	232 356 364	M5232 M5356 M5364	E6423R E6426R E6427R	D3219 D3222	H3265 H3268	P3813R-A P3816R-A P3817R-A	MH41	MT01	UY128GAS #10
C007J- U532/ CR/UTQ/CL/RLP/CX	356 364	M5356 M5364	E6426R E6427R	D3222	H3268	P3816R-A P3817R-A	MH41	MT01	UY128GAS #10
C007J- W922/ CW	456 464	M5456 M5464	E1828P E1848P	D2107M	H4459M	P2428Q-A P2448Q-A	MH41	MT01B	SM1014B#10 (MY1014B#70,S,Y7256)
C007J- W922/ CW/UTP	456 464	M5456 M5464	E1828P E1848P	D2107M	H4459M	P2428Q-A P2448Q-A	MH41	MT01B	SM1014B#10 (MY1014B#70,S,Y7256)
C007J- W922/ CW/UTR	456 464	M5456 M5464	E1828P E1848P	D2107M	H4459M	P2428Q-A P2448Q-A	MH41	MT01B	SM1014B#10 (MY1014B#70,S,Y7256)

MODEL	SUB-CLASS	NEEDLE CLAMP	NEEDLE PLATE	MAIN FEED DOG	DIFF. FEED DOG	PRESSER FOOT	SPREADER	LOOPER	NEEDLE
機型	規格	針座	針板	主送具	差送具	押具	上叉	勾針	針號
C007J-W811 /CRL/RL	248 356 364	M5248 M5356 M5364	E0215R E0216R E0217R	D2101Q	H2203R	P2765-A P2766-A P2767-A	MH41	MT01	TV*5 #14
C007J-W811A /CRL/RL	248 356 364	M5248 M5356 M5364	E0215Q E0216Q E0217Q	D2101Q	H2203Q	P2765-A P2766-A P2767-A	MH41	MT01	TV*5 #14
C007J-U811 /CRL/RL	248 356 364	M5248 M5356 M5364	E0215R E0216R E0217R	D2101Q	H2203R	P0965-A P0966-A P0967-A	—	MT01	TV*5 #14
C007J-U811A /CRL/RL	248 356 364	M5248 M5356 M5364	E0215Q E0216Q E0217Q	D2101Q	H2203Q	P0965-A P0966-A P0967-A	—	MT01	TV*5 #14
C007J-W811 CRL/UTP/RL	248 356 364	M5248 M5356 M5364	E0215R E0216R E0217R	D2101Q	H2203R	P2765-A P2766-A P2767-A	MH41	MT01	TV*5 #14
C007J-W811A CRL/UTP/RL	248 356 364	M5248 M5356 M5364	E0215Q E0216Q E0217Q	D2101Q	H2203Q	P2765-A P2766-A P2767-A	MH41	MT01	TV*5 #14
C007J-U811 CRL/UTQ/RL	248 356 364	M5248 M5356 M5364	E0215R E0216R E0217R	D2101Q	H2203R	P0965-A P0966-A P0967-A	—	MT01	TV*5 #14
C007J-U811A CRL/UTQ/RL	248 356 364	M5248 M5356 M5364	E0215Q E0216Q E0217Q	D2101Q	H2203Q	P0965-A P0966-A P0967-A	—	MT01	TV*5 #14
C007J-W812 /CRL/RL	232 248 356 364	M5232 M5248 M5356 M5364	E0223R E0225R E0226R E0227R	D2101Q	H2203R	P2763-A P2765-A P2766-A P2767-A	MH41	MT01	UY128GAS #10
C007J-W812A /CRL/RL	248 356 364	M5248 M5356 M5364	E0225Q E0226Q E0227Q	D2101Q	H2203Q	P2765-A P2766-A P2767-A	MH41	MT01	UY128GAS #10
C007J-U812 /CRL/RL	248 356 364	M5248 M5356 M5364	E0225R E0226R E0227R	D2101Q	H2203R	P0965-A P0966-A P0967-A	—	MT01	UY128GAS #10
C007J-U812A /CRL/RL	248 356 364	M5248 M5356 M5364	E0225Q E0226Q E0227Q	D2101Q	H2203Q	P0965-A P0966-A P0967-A	—	MT01	UY128GAS #10

註：C007J-W812A/W813A 機型之針板與差送具為5排齒。
C007J-W812/W813 機型之針板與差送具為4排齒。

規格件表 CONVERSION CHART

規格件表 CONVERSION CHART

MODEL 機 型	SUB-CLASS 規 格	NEEDLE CLAMP 針 座	NEEDLE PLATE 針 板	MAIN FEED DOG 主 送 具	DIFF. FEED DOG 差 送 具	PRESSER FOOT 押 具	SPREADER 上 叉	LOOPER 勾 針	NEEDLE 針 號
C007J-W812 CRL/UTP/RL	248 356 364	M5248 M5356 M5364	E0225R E0226R E0227R	D2101Q	H2203R	P2765-A P2766-A P2767-A	MH41	MT01	UY128GAS #10
C007J-W812A CRL/UTP/RL	248 356 364	M5248 M5356 M5364	E0225Q E0226Q E0227Q	D2101Q	H2203Q	P2765-A P2766-A P2767-A	MH41	MT01	UY128GAS #10
C007J-U812 CRL/UTQ/RL	248 356 364	M5248 M5356 M5364	E0225R E0226R E0227R	D2101Q	H2203R	P0965-A P0966-A P0967-A	—	MT01	UY128GAS #10
C007J-U812A CRL/UTQ/RL	248 356 364	M5248 M5356 M5364	E0225Q E0226Q E0227Q	D2101Q	H2203Q	P0965-A P0966-A P0967-A	—	MT01	UY128GAS #10
C007J-W812 /CRL/UTR	248 356 364	M5248 M5356 M5364	E0225R E0226R E0227R	D2101Q	H2203R	P2765-A P2766-A P2767-A	MH41	MT01	UY128GAS #10
C007J-W812A /CRL/UTR	248 356 364	M5248 M5356 M5364	E0225Q E0226Q E0227Q	D2101Q	H2203Q	P2765-A P2766-A P2767-A	MH41	MT01	UY128GAS #10
C007J-U812 /CRL/UTS	248 356 364	M5248 M5356 M5364	E0225R E0226R E0227R	D2101Q	H2203R	P0965-A P0966-A P0967-A	MH41	MT01	UY128GAS #10
C007J-U812A /CRL/UTS	248 356 364	M5248 M5356 M5364	E0225Q E0226Q E0227Q	D2101Q	H2203Q	P0965-A P0966-A P0967-A	MH41	MT01	UY128GAS #10
C007J-W813 /CRL/RL	248 356 364	M5248 M5356 M5364	E0235R E0236R E0237R	D2101Q	H2203R	P2765-A P2766-A P2767-A	MH41	MT01	UY128GAS #10
C007J-W813A /CRL/RL	248 356 364	M5248 M5356 M5364	E0235Q E0236Q E0237Q	D2101Q	H2203Q	P2765-A P2766-A P2767-A	MH41	MT01	UY128GAS #10
C007J-U813 /CRL/RL	248 356 364	M5248 M5356 M5364	E0235R E0236R E0237R	D2101Q	H2203R	P0965-A P0966-A P0967-A	—	MT01	UY128GAS #10
C007J-U813A /CRL/RL	248 356 364	M5248 M5356 M5364	E0235Q E0236Q E0237Q	D2101Q	H2203Q	P0965-A P0966-A P0967-A	—	MT01	UY128GAS #10

註：C007J-W812A/W813A 機型之針板與差送具為5排齒。
C007J-W812/W813 機型之針板與差送具為4排齒。

MODEL 機型	SUB-CLASS 規格	NEEDLE CLAMP 針座	NEEDLE PLATE 針板	MAIN FEED DOG 主送具	DIFF. FEED DOG 差送具	PRESSER FOOT 押具	SPREADER 上叉	LOOPER 勾針	NEEDLE 針號
C007J-W813 /CRL/UTR	248 356 364	M5248 M5356 M5364	E0235R E0236R E0237R	D2101Q	H2203R	P2765-A P2766-A P2767-A	MH41	MT01	TV*5 #14
C007J-W813A /CRL/UTR	248 356 364	M5248 M5356 M5364	E0235Q E0236Q E0237Q	D2101Q	H2203Q	P2765-A P2766-A P2767-A	MH41	MT01	TV*5 #14
C007J-U813 /CRL/UTS	248 356 364	M5248 M5356 M5364	E0235R E0236R E0237R	D2101Q	H2203R	P0965-A P0966-A P0967-A	MH41	MT01	TV*5 #14
C007J-U813A /CRL/UTS	248 356 364	M5248 M5356 M5364	E0235Q E0236Q E0237Q	D2101Q	H2203Q	P0965-A P0966-A P0967-A	MH41	MT01	TV*5 #14
C007J-W822 /CRL/CY/CL/RL	248 356 364	M5248 M5356 M5364	E0225R E0226R E0227R	D2101Q	H2203R	P2765-A P2766-A P2767-A	MH41	MT01	UY128GAS #10
C007J-W823 /CRL/CY/CL/RL	248 356 364	M5248 M5356 M5364	E0235R E0236R E0237R	D2101Q	H2203R	P2765-A P2766-A P2767-A	MH41	MT01	TV*5 #14
C007J-U822 /CRL/CY/CL/RL	248 356 364	M5248 M5356 M5364	E0225R E0226R E0227R	D2101Q	H2203R	P0965-A P0966-A P0967-A	—	MT01	UY128GAS #10
C007J-U823 /CRL/CY/CL/RL	248 356 364	M5248 M5356 M5364	E0235R E0236R E0237R	D2101Q	H2203R	P0965-A P0966-A P0967-A	—	MT01	TV*5 #14
C007J-W822 CRL/CY/UTP/CL/RL	248 356 364	M5248 M5356 M5364	E0225R E0226R E0227R	D2101Q	H2203R	P2765-A P2766-A P2767-A	MH41	MT01	UY128GAS #10
C007J-W823 CRL/CY/UTP/CL/RL	248 356 364	M5248 M5356 M5364	E0235R E0236R E0237R	D2101Q	H2203R	P2765-A P2766-A P2767-A	MH41	MT01	TV*5 #14

註：C007J-W812A/W813A 機型之針板與差送具為5排齒。

C007J-W812/W813 機型之針板與差送具為4排齒。

規格件表 CONVERSION CHART

規格件表 CONVERSION CHART

MODEL	SUB-CLASS	NEEDLE CLAMP	NEEDLE PLATE	MAIN FEED DOG	DIFF. FEED DOG	PRESSER FOOT	SPREADER	LOOPER	NEEDLE
機型	規格	針座	針板	主送具	差送具	押具	上叉	勾針	針號
C007J-U822 CRL/CY/UTQ/CL/RL	248	M5248	E0225R	D2101Q	H2203R	P0965-A	—	MT01	UY128GAS #10
	356	M5356	E0226R	D2101Q	H2203R	P0966-A	—	MT01	TV*5 #14
	364	M5364	E0227R	D2101Q	H2203R	P0967-A	—	MT01	UY128GAS #10
C007J-U823 CRL/CY/UTQ/CL/RL	248	M5248	E0235R	D2101Q	H2203R	P0965-A	—	MT01	UY128GAS #10
	356	M5356	E0236R	D2101Q	H2203R	P0966-A	—	MT01	TV*5 #14
	364	M5364	E0237R	D2101Q	H2203R	P0967-A	—	MT01	UY128GAS #10
C007J-U822 CRL/CY/UTQ/CL/RL	248	M5248	E0225R	D2101Q	H2203R	P0965-A	—	MT01	UY128GAS #10
	356	M5356	E0226R	D2101Q	H2203R	P0966-A	—	MT01	TV*5 #14
	364	M5364	E0227R	D2101Q	H2203R	P0967-A	—	MT01	UY128GAS #10

MODEL 機型	SUB-CLASS 規格	NEEDLE CLAMP 針座	NEEDLE PLATE 針板	MAIN FEED DOG 主送具	DIFF. FEED DOG 差送具	PRESSER FOOT 押具	SPREADER 上叉	LOOPER 勾針	CAM 偏心凸輪	NEEDLE 針號
C007J- W522 /FE(FFC)/CRA/CL	356 364	M5356 M5364	E 6426P E 6427P	D 3222	H 3268	P3116 P3117	MH41E	MT01	MF01-A	UY128GAS #11
C007J- U522 /FE(FFC)/CRA/CL	356 364	M5356 M5364	E 6426P E 6427P	D 3222	H 3268	P3116 P3117	—	MT01	MF01-A	UY128GAS #11
C007J- W522 /FE(FFC)/CRB/CL	356 364	M5356 M5364	E 6426P E 6427P	D 3222	H 3268	P3116 P3117	MH41E	MT01	MF01-A	UY128GAS #11
C007J- U522 /FE(FFC)/CRB/CL	356 364	M5356 M5364	E 6426P E 6427P	D 3222	H 3268	P3116 P3117	—	MT01	MF01-A	UY128GAS #11
C007J- W532/ CRA/UTP/CL/RLP/CX-A	356 364	M5356 M5364	E 6426P E 6427P	D 3222	H 3268	P3816Q P3817Q	MH41E	MT01	MF01-A	UY128GAS #11
C007J- U532/ CRA/UTQ/CL/RLP/CX-A	356 364	M5356 M5364	E 6426P E 6427P	D 3222	H 3268	P3816Q P3817Q	—	MT01	MF01-A	UY128GAS #11
C007J- W532/ CRA/UTP/CL/RLP/CX-B	356 364	M5356 M5364	E 6426P E 6427P	D 3222	H 3268	P3816Q P3817Q	MH41E	MT01	MF01-A	UY128GAS #11
C007J- U532/ CRA/UTQ/CL/RLP/CX-B	356 364	M5356 M5364	E 6426P E 6427P	D 3222	H 3268	P3816Q P3817Q	MH41E	MT01	MF01-A	UY128GAS #11

規格件表 CONVERSION CHART

規格件表 CONVERSION CHART

MODEL	SUB-CLASS	NEEDLE CLAMP	NEEDLE PLATE	MAIN FEED DOG	DIFF. FEED DOG	PRESSER FOOT	SPREADER	LOOPER	NEEDLE	Motor
機型	規格	針座	針板	主送具	差送具	押具	上叉	勾針	針號	馬達
C007JD-W121 /CH	356	M5356	E3816P	D4206	H4458	P2446-A	MH41	MT01	UY128GAS #10	T501HE
	364	M5364	E3817P	D4207	H4459	P2447-A	—	MT01	UY128GAS #10	
C007JD-U121 /CH	356	M5356	E3816P	D4206	H4458	P2446-A	—	MT01	UY128GAS #10	
	364	M5364	E3817P	D4207	H4459	P2447-A	MH41	MT01	UY128GAS #10	
C007JD-W121 CH/UTP(UTR)	356	M5356	E3816P	D4206	H4458	P2446-A	—	MT01	UY128GAS #10	
	364	M5364	E3817P	D4207	H4459	P2447-A	MH41	MT01	UY128GAS #10	
C007JD-U121 CH/UTQ(UTS)	356	M5356	E3816P	D4206	H4458	P2446-A	—	MT01	UY128GAS #10	
	364	M5364	E3817P	D4207	H4459	P2447-A	MH41	MT01	UY128GAS #10	
C007JD-W122 /CH	240	M5240	E3524P	D4206	H4458	P2544-A	—	—	—	
	248	M5248	E3525P	D4206	H4458	P2545-A	—	—	—	
	256	M5356	E3826S	D4206	H4458	P2446-A	MH41	MT01	UY128GAS #10	
	356	M5356	E3826P	D4206	H4458	P2446-A	—	—	—	
C007JD-U122 /CH	364	M5364	E3827P	D4207	H4459	P2447-A	—	—	—	
	240	M5240	E3524P	D4206	H4458	P2544-A	—	—	—	
C007JD-W122 CH/UTP(UTR)	248	M5248	E3525P	D4206	H4458	P2545-A	—	—	—	
	256	M5356	E3826S	D4206	H4458	P2446-A	MH41	MT01	UY128GAS #10	
C007JD-U122 /CH	356	M5356	E3826P	D4206	H4458	P2446-A	—	—	—	
	364	M5364	E3827P	D4207	H4459	P2447-A	—	—	—	

註：P2544-A/P2545-A為固定式押具舌,亦可使用活動式押具舌 P2565-A 代替 P2544-A/P2545-A

P2446-A/P2447-A為固定式押具舌,亦可使用活動式押具舌 P2466-A 代替 P2446-A/P2447-A

MODEL	SUB-CLASS	NEEDLE CLAMP	NEEDLE PLATE	MAIN FEED DOG	DIFF. FEED DOG	PRESSER FOOT	SPREADER	LOOPER	NEEDLE	Motor
機型	規格	針座	針板	主送具	差送具	押具	上叉	勾針	針號	馬達
C007JD-U122 CH/UTQ(UTS)	240 248 256 356 364	M5240 M5248 M5356 M5356 M5364	E 3524P E 3525P E 3826S E 3826P E 3827P	D 4206 D 4206 D 4206 D 4206 D 4207	H 4458 H 4458 H 4458 H 4458 H 4459	P2544-A P2545-A P2446-A P2446-A P2447-A	— — MH41	MT01	UY128GAS #10	
C007JD-W122 /CHA	356	M5356	E 3826Q	D 4206	H 4458	P0216-A	MH41	MT01	UY128GAS #10	
C007JD-U122 /CHA	356	M5356	E 3826Q	D 4206	H 4458	P0416-A	—	MT01	UY128GAS #10	
C007JD-W123 /CH	240 248 356 364	M5240 M5248 M5356 M5364	E 3534P E 3535P E 3836P E 3837P	D 4206 D 4206 D 4206 D 4207	H 4458 H 4458 H 4458 H 4459	P2544-A P2545-A P2446-A P2447-A	MH41	MT01	UY128GAS #10	☐ T501HE
C007JD-U123 /CH	240 248 356 364	M5240 M5248 M5356 M5364	E 3534P E 3535P E 3836P E 3837P	D 4206 D 4206 D 4206 D 4207	H 4458 H 4458 H 4458 H 4459	P2544-A P2545-A P2446-A P2447-A	—	MT01	UY128GAS #10	
C007JD-W132 /CHE	240 248 356 364	M5240 M5248 M5356 M5364	E 2324P E 2325P E 2326P E 2327P	D 2109 D 2109 D 2110 D 2110	H 2219 H 2219 H 2220 H 2220	P2904-A P2905-A P2906-A P2907-A	MH41	MT01	UY128GAS #10	
C007JD-W132 CHE/UTP(UTR)	356 364	M5356 M5364	E 2326P E 2327P	D 2110	H 2220	P2906-A P2907-A	MH41	MT01	UY128GAS #10	

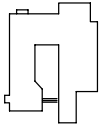


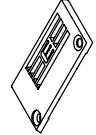
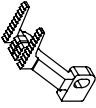



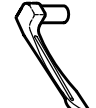

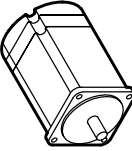
註：P2544-A/P2545-A為固定式押具舌,亦可使用活動式押具舌 P2565-A代替P2544-A/P2545-A
P2446-A/P2447-A為固定式押具舌,亦可使用活動式押具舌 P2466-A代替P2446-A/P2447-A

規格件表 CONVERSION CHART

規格件表 CONVERSION CHART

MODEL	SUB-CLASS	NEEDLE CLAMP	NEEDLE PLATE	MAIN FEED DOG	DIFF. FEED DOG	PRESSER FOOT	SPREADER	LOOPER	NEEDLE	Motor
機型	規格	針座	針板	主送具	差送具	押具	上叉	勾針	針號	馬達
C007JD-W152 /CZP/RLQ	356	M5356	E4326	D3216	H3262	P2416-A	MH41	MT01	UY128GAS #10	T501HE
	364	M5364	E4327	D3217	H3263	P2417-A	—	MT01	UY128GAS #10	
C007JD-U152 /CZP/RLQ	356	M5356	E4326	D3216	H3262	P2416-A	—	MT01	UY128GAS #10	
	364	M5364	E4327	D3217	H3263	P2417-A	MH41	MT01	UY128GAS #10	
C007JD-W152 CZP/CLA/RLQ	356	M5356	E4326	D3216	H3262	P2416-A	—	MT01	UY128GAS #10	
	364	M5364	E4327	D3217	H3263	P2417-A	—	MT01	UY128GAS #10	
C007JD-U152 CZP/CLA/RLQ	356	M5356	E4326	D3216	H3262	P2416-A	—	MT01	UY128GAS #10	
	364	M5364	E4327	D3217	H3263	P2417-A	—	MT01	UY128GAS #10	
C007JD-W162	240	M5240	E3544	D4206	H4458	P2544-A	—	MT01A	TV*5 #14~16	
	248	M5248	E3545	D4206	H4458	P2545-A	MH41	MT01A	TV*5 #14~16	
	356	M5356	E3846	D4206	H4458	P2446-A	—	MT01A	TV*5 #14~16	
	364	M5364	E3847	D4207	H4459	P2447-A	MH41	MT01A	TV*5 #14~16	
C007JD-U162	240	M5240	E3544	D4206	H4458	P2544-A	—	MT01A	TV*5 #14~16	
	248	M5248	E3545	D4206	H4458	P2545-A	—	MT01A	TV*5 #14~16	
	356	M5356	E3846	D4206	H4458	P2446-A	—	MT01A	TV*5 #14~16	
	364	M5364	E3847	D4207	H4459	P2447-A	MH41	MT01A	TV*5 #14~16	
C007JD-U162 /UTP (UTR)	240	M5240	E3544	D4206	H4458	P2544-A	—	MT01A	TV*5 #14~16	
	248	M5248	E3545	D4206	H4458	P2545-A	—	MT01A	TV*5 #14~16	
	356	M5356	E3846	D4206	H4458	P2446-A	—	MT01A	TV*5 #14~16	
	364	M5364	E3847	D4207	H4459	P2447-A	MH41	MT01A	TV*5 #14~16	
C007JD-U162 /UTQ (UTS)	240	M5240	E3544	D4206	H4458	P2544-A	—	MT01A	TV*5 #14~16	
	248	M5248	E3545	D4206	H4458	P2545-A	—	MT01A	TV*5 #14~16	
	356	M5356	E3846	D4206	H4458	P2446-A	—	MT01A	TV*5 #14~16	
	364	M5366	E3847	D4207	H4459	P2447-A	—	MT01A	TV*5 #14~16	

註：P2544-A/P2545-A 為固定式押具舌,亦可使用活動式押具舌 P2565-A 代替 P2544-A/P2545-A
P2446-A/P2447-A 為固定式押具舌,亦可使用活動式押具舌 P2466-A 代替 P2446-A/P2447-A

										
MODEL	SUB-CLASS	NEEDLE CLAMP	NEEDLE PLATE	MAIN FEED DOG	DIFF. FEED DOG	PRESSER FOOT	SPREADER	LOOPER	NEEDLE	Motor
機型	規格	針座	針板	主送具	差送具	押具	上叉	勾針	針號	馬達
C007JD-W222 /CQ	240	M5240	E4124P	D3216	H3362	P1814-A	MH41	MT01	UY128GAS #10	馬達
	248	M5248	E4125P	D3216	H3362	P1815-A	—			
	356	M5356	E4426P	D3216	H3362	P2116-A	—			
	364	M5364	E4427P	D3217	H3363	P2117-A	—			
C007JD-W222 /CQA/CLA	256	M5356	E2326Q	D2110	H2220Q	P2906Q-A	MH41	MT01A	TV*5 #14	馬達
C007JD-W322 /CC	356	M5356	E2826P	D2107L	H3259M	P2456-A	MH41	MT01	UY128GAS #10	
	364	M5364	E2827P	D2107L	H3259M	P2457-A				
C007JD-U322 /CC	356	M5356	E2826P	D2107L	H3259M	P2456-A	—	MT01	UY128GAS #10	
	364	M5364	E2827P	D2107L	H3259M	P2457-A				
C007JD-W322 CC/UTP(UTR)	356	M5356	E2826P	D2107L	H3259M	P2456-A	MH41	MT01	UY128GAS #10	
	364	M5364	E2827P	D2107L	H3259M	P2457-A				
C007JD-U322 CC/UTQ(UTS)	356	M5356	E2826P	D2107L	H3259M	P2456-A	—	MT01	UY128GAS #10	
	364	M5364	E2827P	D2107L	H3259M	P2457-A				

註(1)：P2544-A/P2545-A 為固定式押具舌，亦可使用活動式押具舌 P2565-A 代替 P2544-A/P2545-A

P2446-A/P2447-A 為固定式押具舌，亦可使用活動式押具舌 P2466-A 代替 P2446-A/P2447-A

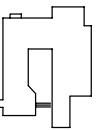

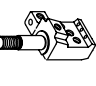
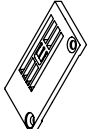
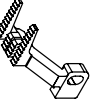
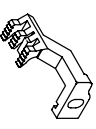
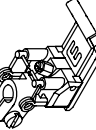



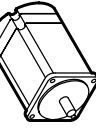
註(2)：C007JD-W/U322A-356 /CC 時，該針板與送金改用 C007JD-W/U122-356 之針板與送金，加附CHJ-A

規格件表 CONVERSION CHART

MODEL	SUB-CLASS	NEEDLE CLAMP	NEEDLE PLATE	MAIN FEED DOG	DIFF. FEED DOG	PRESSER FOOT	SPREADER	LOOPER	NEEDLE	Motor
機型	規格	針座	針板	主送具	差送具	押具	上叉	勾針	針號	馬達
C007JD-W322 /CE	356 364	M5356 M5364	E2626P E2627P	D2107	H3159	P2456-A P2457-A	MH41	MT01	UY128GAS #10	馬達 T501HE
C007JD-U322 /CE	356 364	M5356 M5364	E2626P E2627P	D2107	H3159	P2456-A P2457-A	—	MT01	UY128GAS #10	
C007JD-W322 CE/UTP(UTR)	356 364	M5356 M5364	E2626P E2627P	D2107	H3159	P2456-A P2457-A	MH41	MT01	UY128GAS #10	
C007JD-U322 CE/UTQ(UTS)	356 364	M5356 M5364	E2626P E2627P	D2107	H3159	P2456-A P2457-A	—	MT01	UY128GAS #10	

註：P2544-A/P2545-A 為固定式押具舌,亦可使用活動式押具舌 P2565-A 代替P2544-A/P2545-A

P2446-A/P2447-A 為固定式押具舌,亦可使用活動式押具舌 P2466-A 代替P2446-A/P2447-A-A

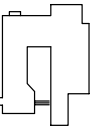

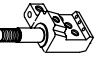
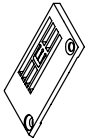
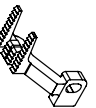
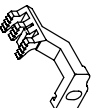
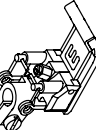

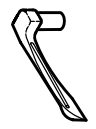

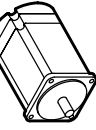
										
MODEL	SUB-CLASS	NEEDLE CLAMP	NEEDLE PLATE	MAIN FEED DOG	DIFF. FEED DOG	PRESSER FOOT	SPREADER	LOOPER	NEEDLE	Motor
機型	規格	針座	針板	主送具	差送具	押具	上叉	勾針	針號	馬達
C007JD-W512 /FE	240 356 364	M5240 M5356 M5364	E3524R E3826R E3827R	D4206 D4206 D4207	H4458 H4458 H4459	P2914-A P3216-A P3217-A	MH41	MT01	UY128GAS #10	馬達 T501HE
C007JD-U512 /FE	240 356 364	M5240 M5356 M5364	E3524R E3826R E3827R	D4206 D4206 D4207	H4458 H4458 H4459	P3414-A P3716-A P3717-A	—	MT01	UY128GAS #10	
C007JD-W522 /FE/CR/CL	356 364	M5356 M5364	E6426R E6427R	D3222	H3268	P3816R-A P3817R-A	MH41	MT01	UY128GAS #10	
C007JD-U522 /FE/CR/CL	356 364	M5356 M5364	E6426R E6427R	D3222	H3268	P3816R-A P3817R-A	—	MT01	UY128GAS #10	
C007JD-W532/ CR/UTP/CL/RLP/CX	356 364	M5356 M5364	E6426R E6427R	D3222	H3268	P3816R-A P3817R-A	MH41	MT01	UY128GAS #10	
C007JD-U532/ CR/UTQ/CL/RLP/CX	356 364	M5356 M5364	E6426R E6427R	D3222	H3268	P3816R-A P3817R-A	MH41	MT01	UY128GAS #10	
C007JD-W922/ CW	456 464	M5456 M5464	E1828P E1848P	D2107M	H4459M	P2428Q-A P2448Q-A	MH41	MT01B	SM1014B#10 (MY1014B#70,SY7256)	
C007JD-W922/ CW/UTP	456 464	M5456 M5464	E1828P E1848P	D2107M	H4459M	P2428Q-A P2448Q-A	MH41	MT01B	SM1014B#10 (MY1014B#70,SY7256)	
C007JD-W922/ CW/UTR	456 464	M5456 M5464	E1828P E1848P	D2107M	H4459M	P2428Q-A P2448Q-A	MH41	MT01B	SM1014B#10 (MY1014B#70,SY7256)	

註：C007JD不可加裝 FFC

規格件表 CONVERSION CHART

MODEL	SUB-CLASS	NEEDLE CLAMP	NEEDLE PLATE	MAIN FEED DOG	DIFF. FEED DOG	PRESSER FOOT	SPREADER	LOOPER	NEEDLE	Motor
機型	規格	針座	針板	主送具	差送具	押具	上叉	勾針	針號	馬達
C007JD-W811 /CRL/RL	248 356 364	M5248 M5356 M5364	E0215R E0216R E0217R	D2101Q	H2203R	P2765-A P2766-A P2767-A	MH41	MT01	TV*5 #14	馬達 H T501HE
C007JD-W811A /CRL/RL	248 356 364	M5248 M5356 M5364	E0215Q E0216Q E0217Q	D2101Q	H2203Q	P2765-A P2766-A P2767-A	MH41	MT01	TV*5 #14	
C007JD-U811 /CRL/RL	248 356 364	M5248 M5356 M5364	E0215R E0216R E0217R	D2101Q	H2203R	P0965-A P0966-A P0967-A	—	MT01	TV*5 #14	
C007JD-U811A /CRL/RL	248 356 364	M5248 M5356 M5364	E0215Q E0216Q E0217Q	D2101Q	H2203Q	P0965-A P0966-A P0967-A	—	MT01	TV*5 #14	
C007JD-W811 CRL/UTP/RL	248 356 364	M5248 M5356 M5364	E0215R E0216R E0217R	D2101Q	H2203R	P2765-A P2766-A P2767-A	MH41	MT01	TV*5 #14	
C007JD-W811A CRL/UTP/RL	248 356 364	M5248 M5356 M5364	E0215Q E0216Q E0217Q	D2101Q	H2203Q	P2765-A P2766-A P2767-A	MH41	MT01	TV*5 #14	
C007JD-U811 CRL/UTQ/RL	248 356 364	M5248 M5356 M5364	E0215R E0216R E0217R	D2101Q	H2203R	P0965-A P0966-A P0967-A	—	MT01	TV*5 #14	
C007JD-U811A CRL/UTQ/RL	248 356 364	M5248 M5356 M5364	E0215Q E0216Q E0217Q	D2101Q	H2203Q	P0965-A P0966-A P0967-A	—	MT01	TV*5 #14	
C007JD-W812 /CRL/RL	248 356 364	M5248 M5356 M5364	E0225R E0226R E0227R	D2101Q	H2203R	P2765-A P2766-A P2767-A	MH41	MT01	UY128GAS #10	
C007JD-W812A /CRL/RL	248 356 364	M5248 M5356 M5364	E0225Q E0226Q E0227Q	D2101Q	H2203Q	P2765-A P2766-A P2767-A	MH41	MT01	UY128GAS #10	
C007JD-U812 /CRL/RL	248 356 364	M5248 M5356 M5364	E0225R E0226R E0227R	D2101Q	H2203R	P0965-A P0966-A P0967-A	—	MT01	UY128GAS #10	
C007JD-U812A /CRL/RL	248 356 364	M5248 M5356 M5364	E0225Q E0226Q E0227Q	D2101Q	H2203Q	P0965-A P0966-A P0967-A	—	MT01	UY128GAS #10	

註：C007JD-W812A/W813A 機型之針板與差送具為5排齒。
C007JD-W812/W813 機型之針板與差送具為4排齒。

										
MODEL	SUB-CLASS	NEEDLE CLAMP	NEEDLE PLATE	MAIN FEED DOG	DIFF. FEED DOG	PRESSER FOOT	SPREADER	LOOPER	NEEDLE	Motor
機型	規格	針座	針板	主送具	差送具	押具	上叉	勾針	針號	馬達
C007JD-W812 CRL/UTP/RL	248 356 364	M5248 M5356 M5364	E0225R E0226R E0227R	D2101Q	H2203R	P2765-A P2766-A P2767-A	MH41	MT01	UY128GAS #10	馬達
C007JD-W812A CRL/UTP/RL	248 356 364	M5248 M5356 M5364	E0225Q E0226Q E0227Q	D2101Q	H2203Q	P2765-A P2766-A P2767-A	MH41	MT01	UY128GAS #10	
C007JD-U812 CRL/UTQ/RL	248 356 364	M5248 M5356 M5364	E0225R E0226R E0227R	D2101Q	H2203R	P0965-A P0966-A P0967-A	—	MT01	UY128GAS #10	
C007JD-U812A CRL/UTQ/RL	248 356 364	M5248 M5356 M5364	E0225Q E0226Q E0227Q	D2101Q	H2203Q	P0965-A P0966-A P0967-A	—	MT01	UY128GAS #10	
C007JD-W812 /CRL/UTR	248 356 364	M5248 M5356 M5364	E0225R E0226R E0227R	D2101Q	H2203R	P2765-A P2766-A P2767-A	MH41	MT01	UY128GAS #10	
C007JD-W812A /CRL/UTR	248 356 364	M5248 M5356 M5364	E0225Q E0226Q E0227Q	D2101Q	H2203Q	P2765-A P2766-A P2767-A	MH41	MT01	UY128GAS #10	
C007JD-U812 /CRL/UTS	248 356 364	M5248 M5356 M5364	E0225R E0226R E0227R	D2101Q	H2203R	P0965-A P0966-A P0967-A	MH41	MT01	UY128GAS #10	
C007JD-U812A /CRL/UTS	248 356 364	M5248 M5356 M5364	E0225Q E0226Q E0227Q	D2101Q	H2203Q	P0965-A P0966-A P0967-A	MH41	MT01	UY128GAS #10	
C007JD-W813 /CRL/RL	248 356 364	M5248 M5356 M5364	E0235R E0236R E0237R	D2101Q	H2203R	P2765-A P2766-A P2767-A	MH41	MT01	UY128GAS #10	
C007JD-W813A /CRL/RL	248 356 364	M5248 M5356 M5364	E0235Q E0236Q E0237Q	D2101Q	H2203Q	P2765-A P2766-A P2767-A	MH41	MT01	UY128GAS #10	
C007JD-U813 /CRL/RL	248 356 364	M5248 M5356 M5364	E0235R E0236R E0237R	D2101Q	H2203R	P0965-A P0966-A P0967-A	—	MT01	UY128GAS #10	
C007JD-U813A /CRL/RL	248 356 364	M5248 M5356 M5364	E0235Q E0236Q E0237Q	D2101Q	H2203Q	P0965-A P0966-A P0967-A	—	MT01	UY128GAS #10	

☐ T501HE

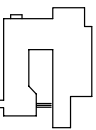

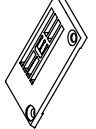
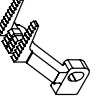
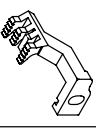
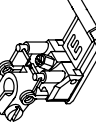



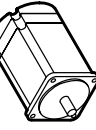
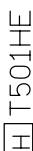
註：C007JD-W812A/W813A 機型之針板與差送具為5排齒。
C007JD-W812/W813 機型之針板與差送具為4排齒。

規格件表 CONVERSION CHART

規格件表 CONVERSION CHART

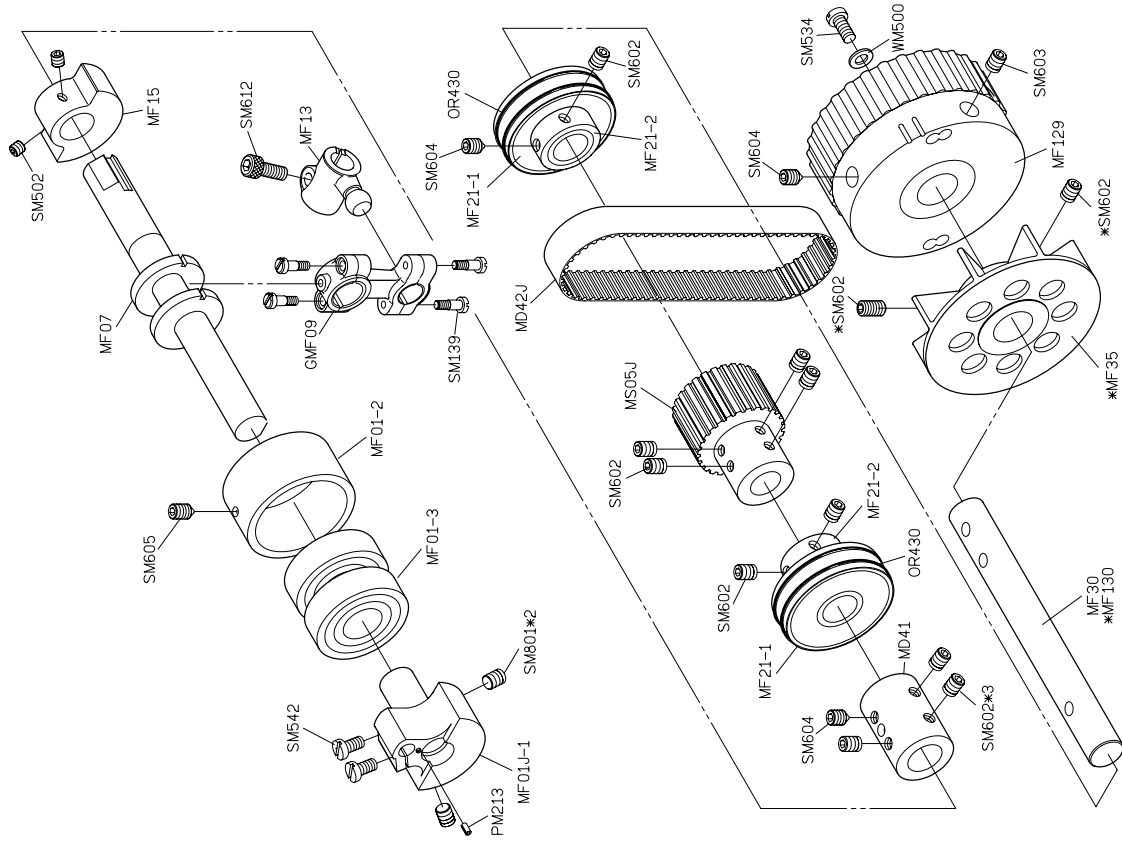
MODEL	SUB-CLASS	NEEDLE CLAMP	NEEDLE PLATE	MAIN FEED DOG	DIFF. FEED DOG	PRESSER FOOT	SPREADER	LOOPER	NEEDLE	Motor
機型	規格	針座	針板	主送具	差送具	押具	上叉	勾針	針號	馬達
C007JD-W813 /CRL/UTR	248 356 364	M5248 M5356 M5364	E0235R E0236R E0237R	D2101Q	H2203R	P2765-A P2766-A P2767-A	MH41	MT01	TV*5 #14	馬達
C007JD-W813A /CRL/UTR	248 356 364	M5248 M5356 M5364	E0235Q E0236Q E0237Q	D2101Q	H2203Q	P2765-A P2766-A P2767-A	MH41	MT01	TV*5 #14	
C007JD-U813 /CRL/UTS	248 356 364	M5248 M5356 M5364	E0235R E0236R E0237R	D2101Q	H2203R	P0965-A P0966-A P0967-A	MH41	MT01	TV*5 #14	
C007JD-U813A /CRL/UTS	248 356 364	M5248 M5356 M5364	E0235Q E0236Q E0237Q	D2101Q	H2203Q	P0965-A P0966-A P0967-A	MH41	MT01	TV*5 #14	
C007JD-W822 /CRL/CY/CL/RL	248 356 364	M5248 M5356 M5364	E0225R E0226R E0227R	D2101Q	H2203R	P2765-A P2766-A P2767-A	MH41	MT01	UY128GAS #10	
C007JD-W823 /CRL/CY/CL/RL	248 356 364	M5248 M5356 M5364	E0235R E0236R E0237R	D2101Q	H2203R	P2765-A P2766-A P2767-A	MH41	MT01	TV*5 #14	
C007JD-U822 /CRL/CY/CL/RL	248 356 364	M5248 M5356 M5364	E0225R E0226R E0227R	D2101Q	H2203R	P0965-A P0966-A P0967-A	—	MT01	UY128GAS #10	
C007JD-U823 /CRL/CY/CL/RL	248 356 364	M5248 M5356 M5364	E0235R E0236R E0237R	D2101Q	H2203R	P0965-A P0966-A P0967-A	—	MT01	TV*5 #14	
C007JD-W822 CRL/CY/UTP/CL/RL	248 356 364	M5248 M5356 M5364	E0225R E0226R E0227R	D2101Q	H2203R	P2765-A P2766-A P2767-A	MH41	MT01	UY128GAS #10	
C007JD-W823 CRL/CY/UTP/CL/RL	248 356 364	M5248 M5356 M5364	E0235R E0236R E0237R	D2101Q	H2203R	P2765-A P2766-A P2767-A	MH41	MT01	TV*5 #14	

註：C007JD-W812A/W813A 機型之針板與差送具為5排齒。
C007JD-W812/W813 機型之針板與差送具為4排齒。

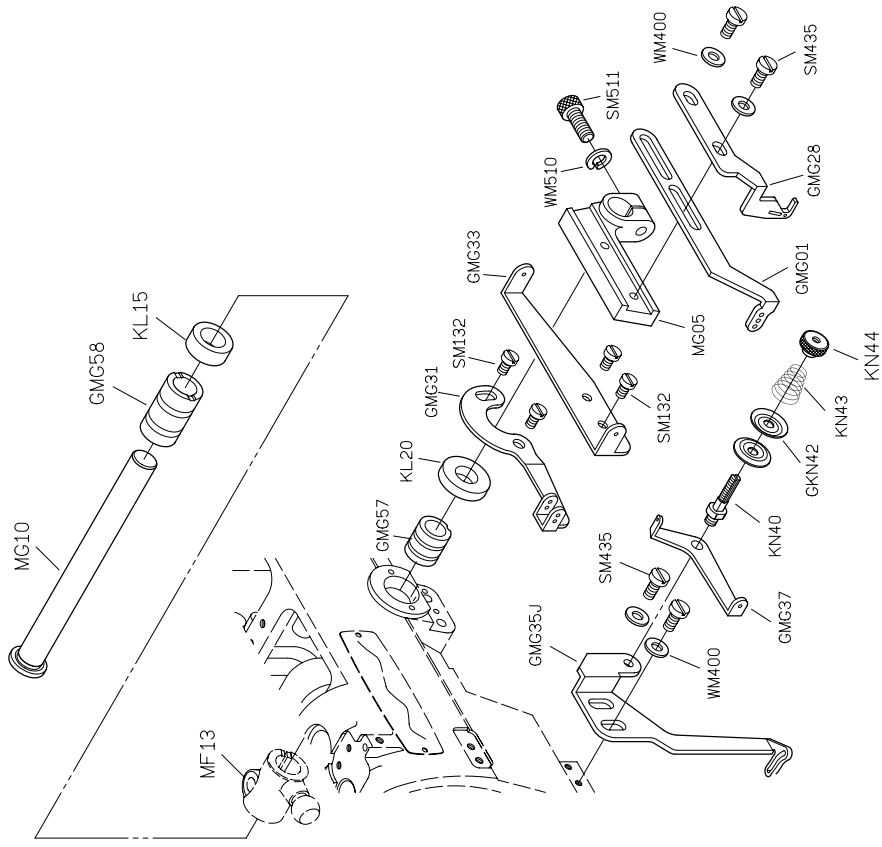
										
MODEL	SUB-CLASS	NEEDLE CLAMP	NEEDLE PLATE	MAIN FEED DOG	DIFF FEED DOG	PRESSER FOOT	SPREADER	LOOPER	NEEDLE	Motor
機 型	規 格	針 座	針 板	主 送 具	差 送 具	押 具	上 叉	勾 針	針 號	馬 達
C007JD-U822 CRL/CY/UTQ/CL/RL	248 356 364	M5248 M5356 M5364	E0225R E0226R E0227R	D2101Q	H2203R	P0965-A P0966-A P0967-A	—	MT01	UY128GAS #10	 T501HE
C007JD-U823 CRL/CY/UTQ/CL/RL	248 356 364	M5248 M5356 M5364	E0235R E0236R E0237R	D2101Q	H2203R	P0965-A P0966-A P0967-A	—	MT01	TV*5 #14	
C007JD-U822 CRL/CY/UTQ/CL/RL	248 356 364	M5248 M5356 M5364	E0225R E0226R E0227R	D2101Q	H2203R	P0965-A P0966-A P0967-A	—	MT01	UY128GAS #10	
C007JD-U823 CRL/CY/UTQ/CL/RL	248 356 364	M5248 M5356 M5364	E0235R E0236R E0237R	D2101Q	H2203R	P0965-A P0966-A P0967-A	—	MT01	TV*5 #14	

規格件表 CONVERSION CHART

MODEL	SUB-CLASS	NEEDLE CLAMP	NEEDLE PLATE	MAIN FEED DOG	DIFF. FEED DOG	PRESSER FOOT	SPREADER	LOOPER	CAM	NEEDLE
機型	規格	針座	針板	主送具	差送具	押具	上叉	勾針	偏心凸輪	針號
C007JD-W522 /FE(FFC)/CRB/CL	356 364	M5356 M5364	E6426P E6427P	D 3222	H 3268	P3116 P3117	MH41E	MT01	MF01-A	UY128GAS #11
C007JD-U522 /FE(FFC)/CRB/CL	356 364	M5356 M5364	E 6426P E6427P	D 3222	H 3268	P3116 P3117	—	MT01	MF01-A	UY128GAS #11
C007JD-W812 /CRL/RL	248 356 364	M5248 M5356 M5364	E 0225R E 0226R E 0227R	D2101Q	H2203R	P2765 P2766 P2767	MH41E	MT01	MF91-A	UY128GAS #11
C007JD-U812 /CRL/RL	248 356 364	M5248 M5356 M5364	E 0225R E 0226R E 0227R	D2101Q	H2203R	P0965 P0966 P0967	—	MT01	MF91-A	UY128GAS #11
C007JD-W813 /CRL/RL	248 356 364	M5248 M5356 M5364	E 0235R E 0236R E 0237R	D2101Q	H2203R	P2765 P2766 P2767	MH41E	MT01	MF91-A	UY128GAS #11
C007JD-U813 /CRL/RL	248 356 364	M5248 M5356 M5364	E 0235R E 0236R E 0237R	D2101Q	H2203R	P0965 P0966 P0967	—	MT01	MF91-A	UY128GAS #11

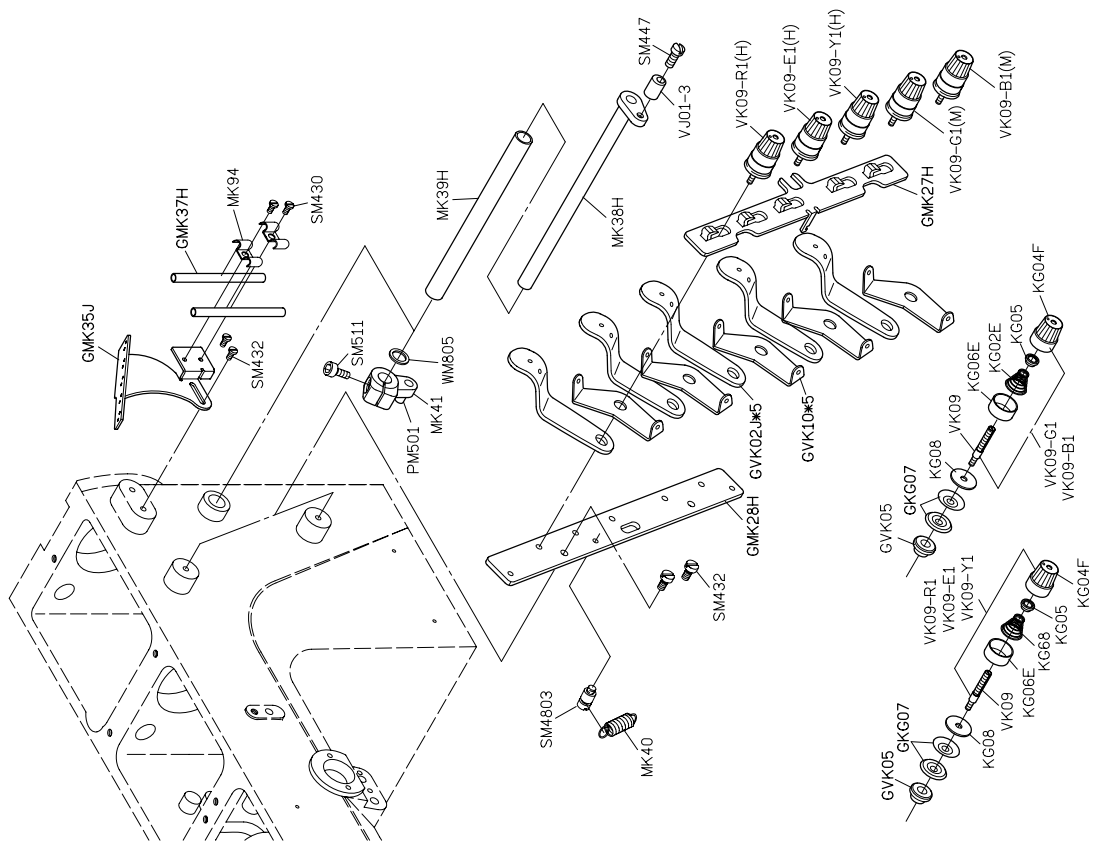


FOR C007J/C007JD/S007K/S007KD
 *USE FOR C007JD/S007KD

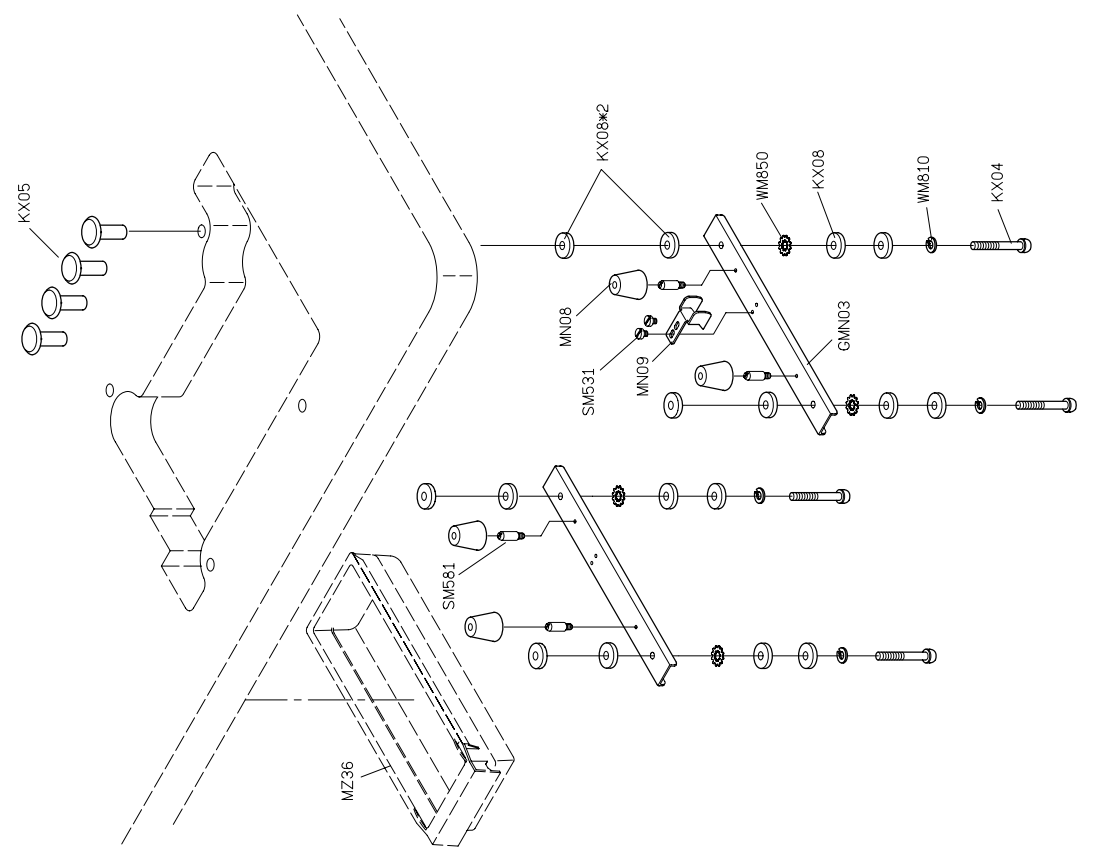


PARTS LIST FOR MF GROUP

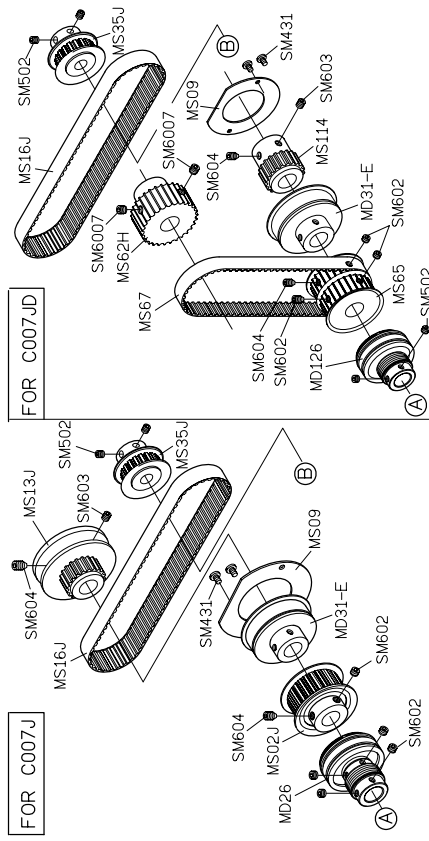
PARTS LIST FOR MG GROUP



PARTS LIST FOR MK GROUP

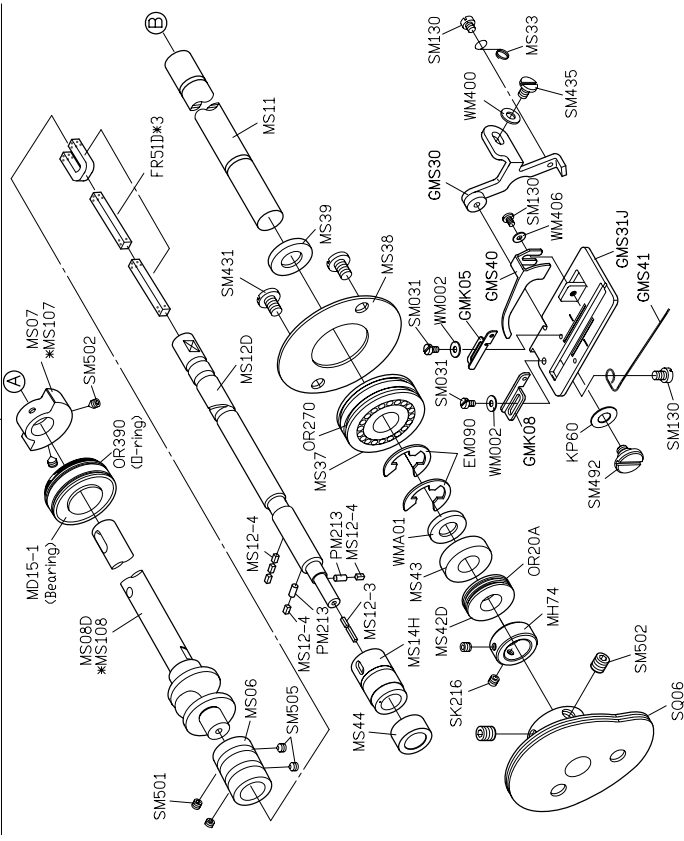


PARTS LIST FOR MN GROUP

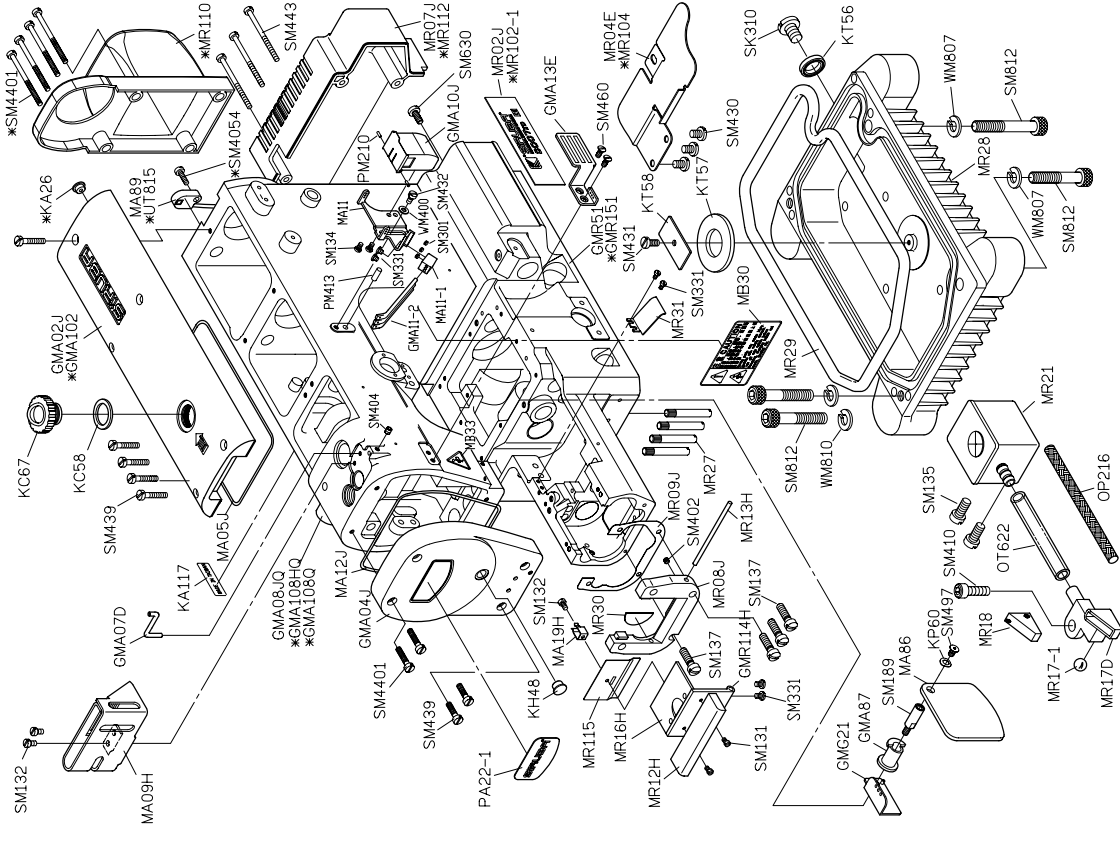


FOR C007J

FOR C007JD



FOR C007J/C007JD
*USE FOR C007JD

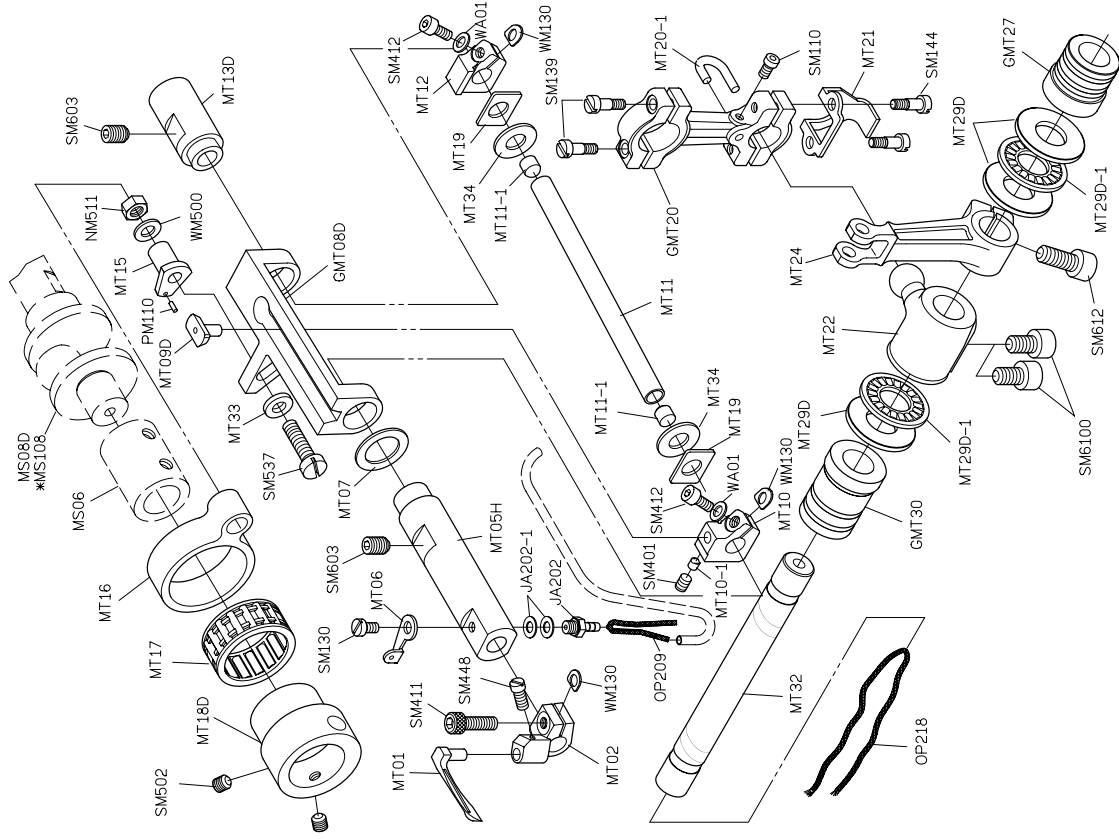


FOR C007J/C007JD
*USE FOR C007JD

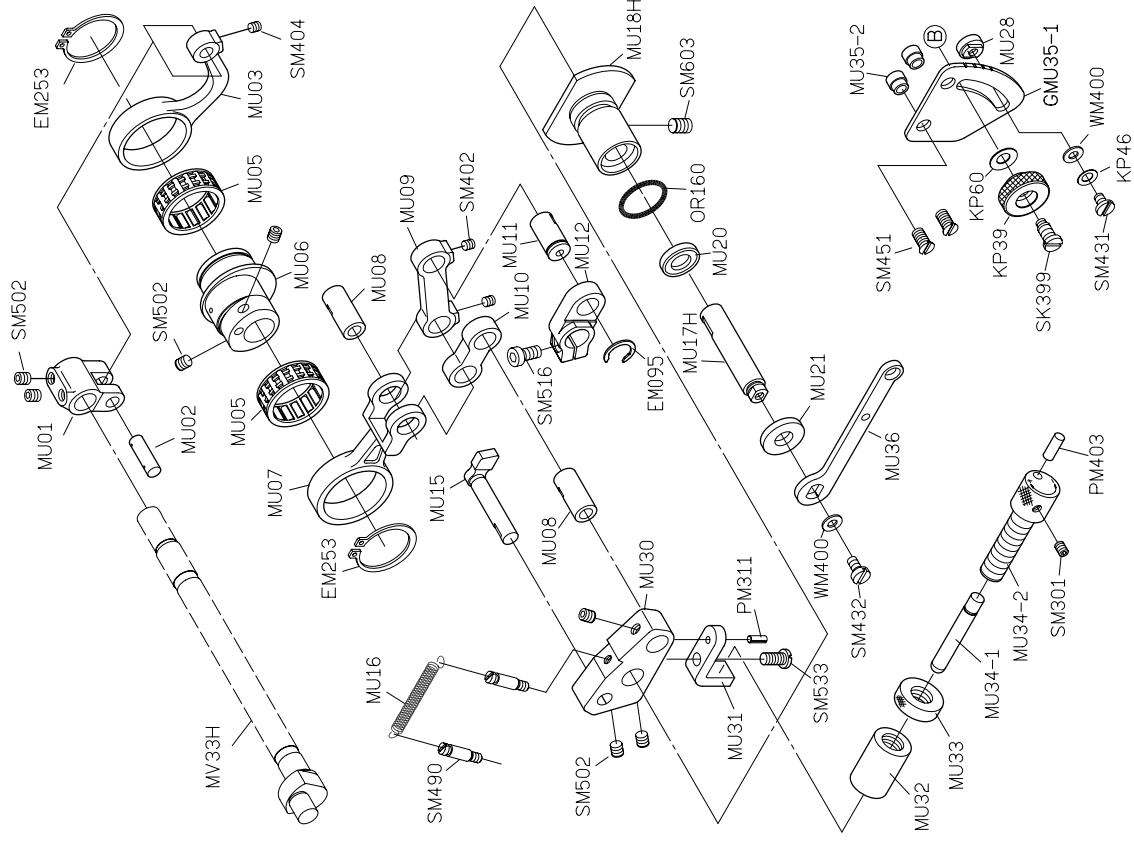
PARTS LIST FOR MR GROUP

PARTS LIST FOR MS GROUP

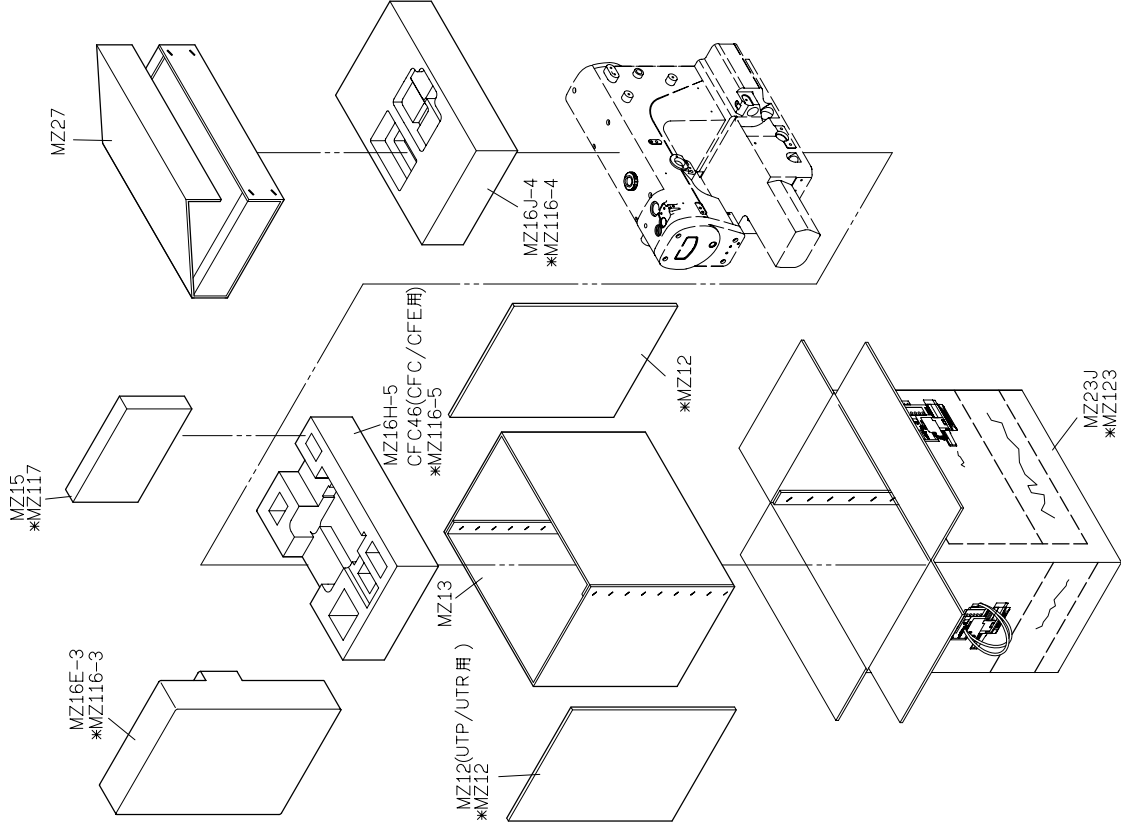
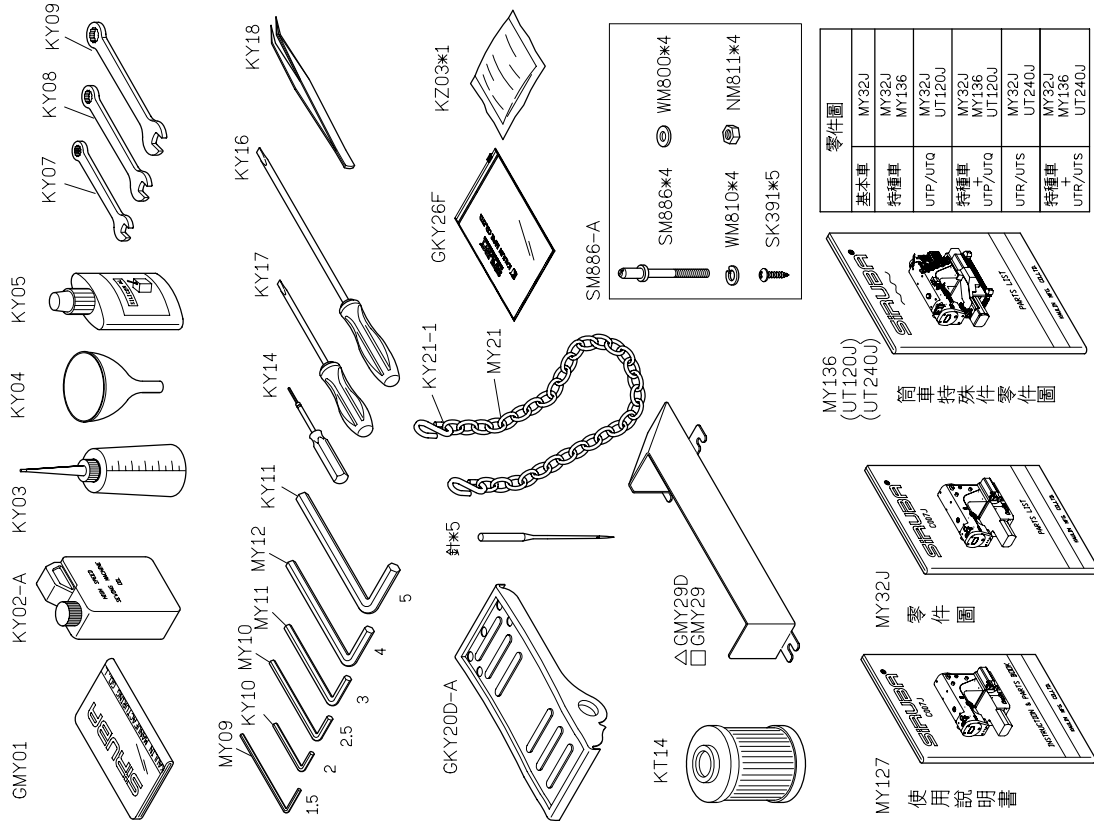
PARTS LIST FOR MT GROUP



PARTS LIST FOR MU GROUP

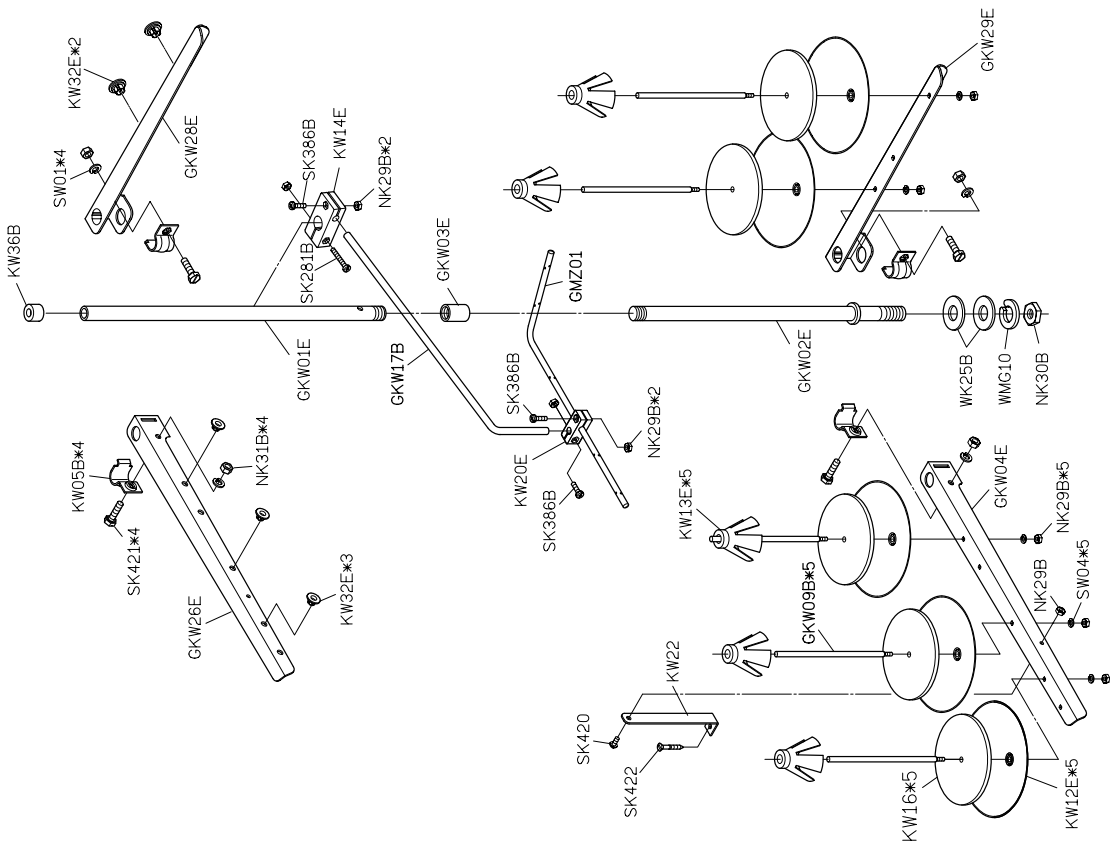


FOR C007J/C007JD
*USE FOR C007JD



FOR C007J/C007JD
 *USE FOR C007JD
 ΔUSE FOR C007J ONLY □USE FOR C007E/C007H ONLY

FOR C007J
 *USE FOR C007JD



PARTS LIST FOR THREAD STAND GROUP



C007J/C007JD

高林股份有限公司 KAULIN MFG. CO., LTD.